

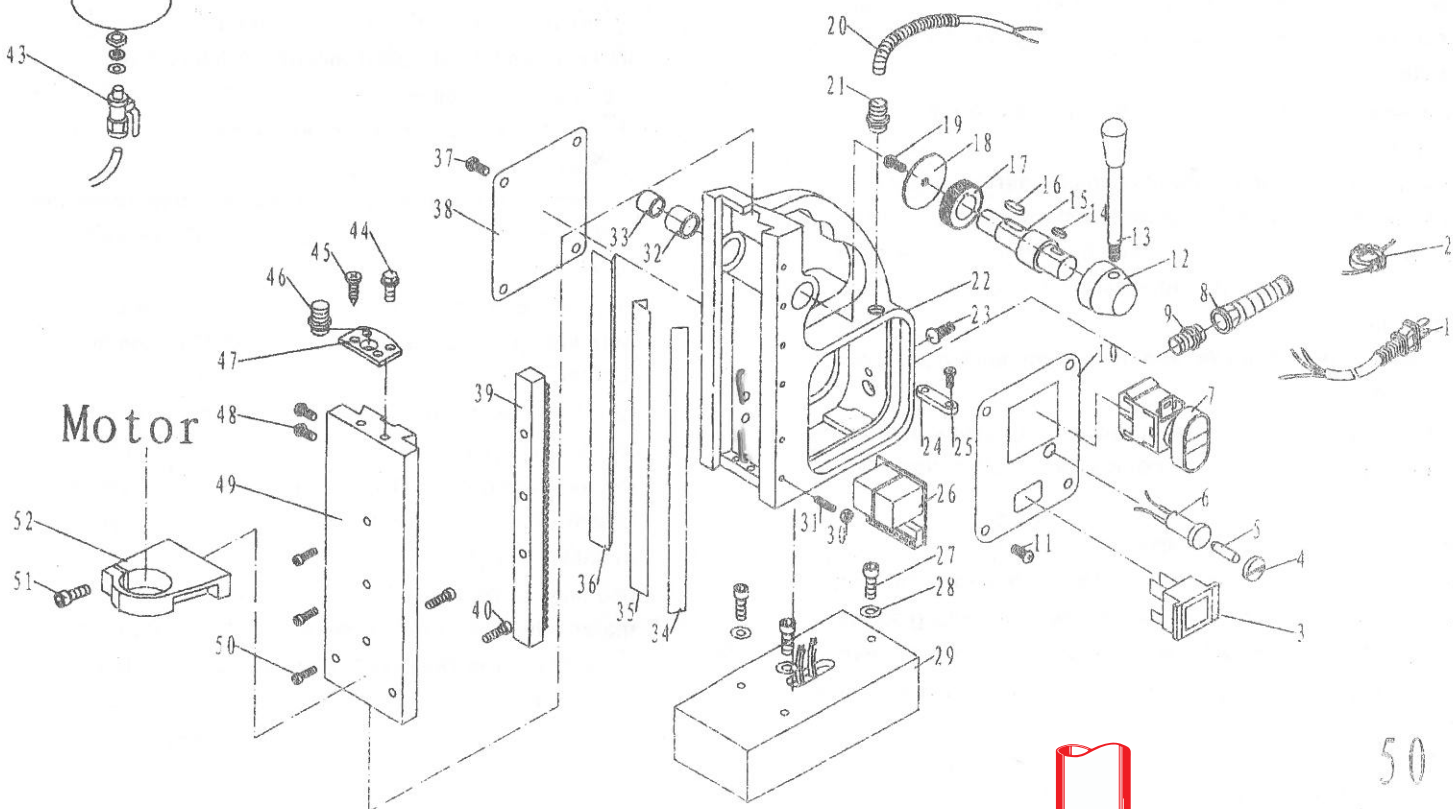
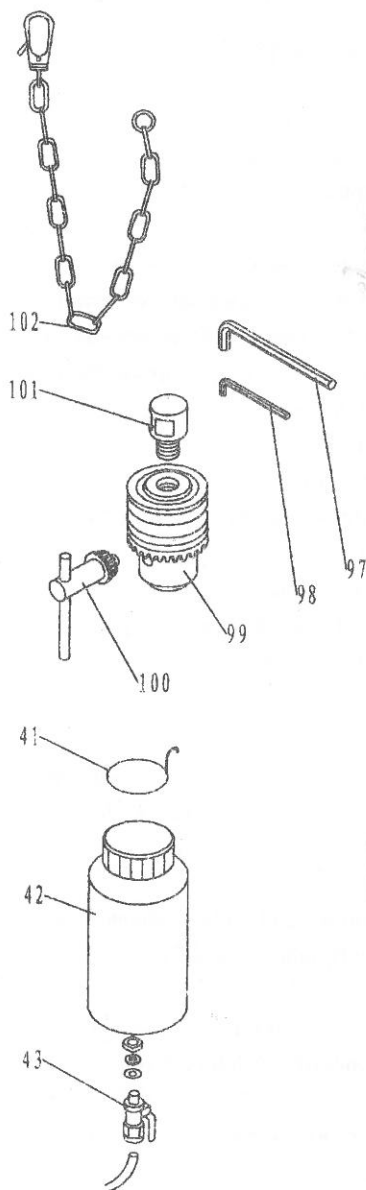
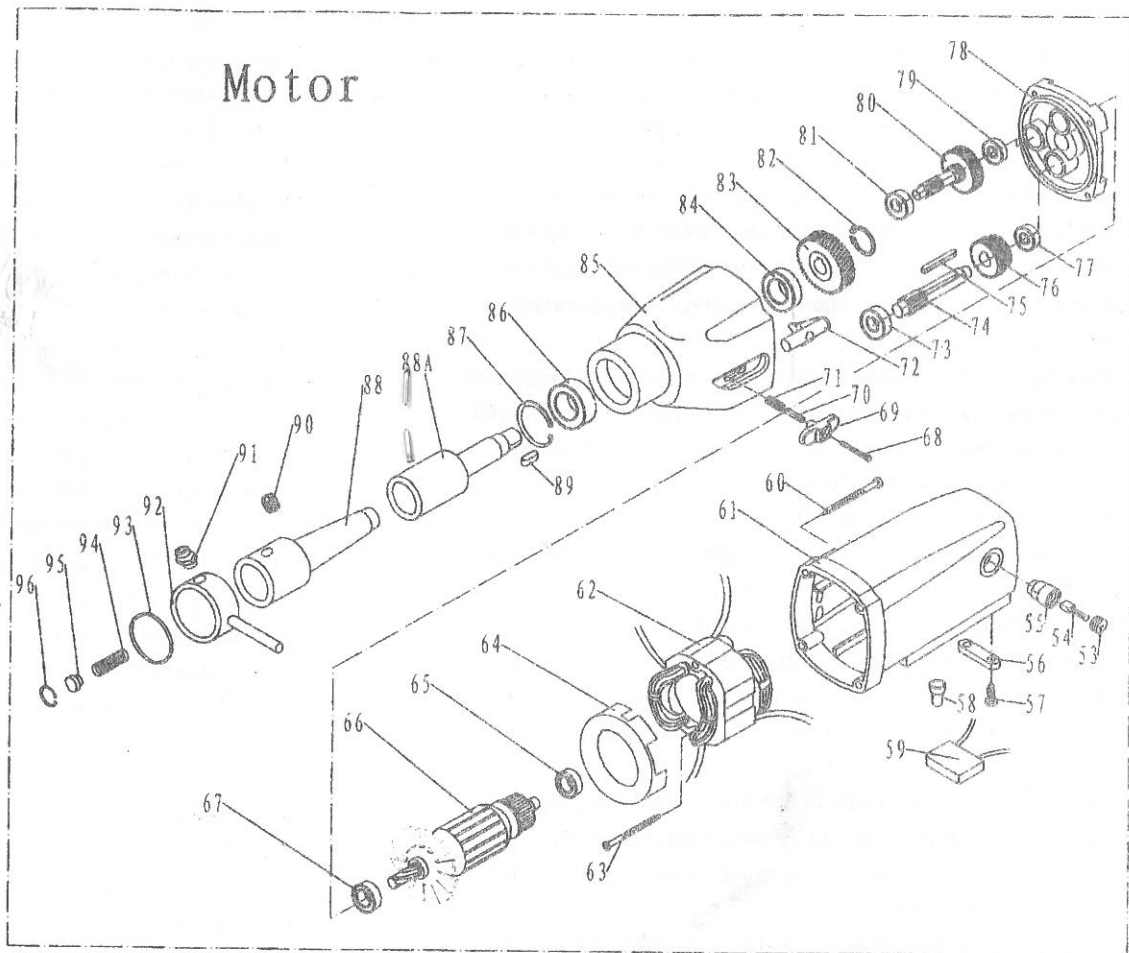
Hajo Magnetboremaskine 50/50-2

Splittegning mm.



HAJO TOOL
PROFESSIONELT SPECIALVÆRKTØJ
www.hajo.dk

Motor



BRM50

1	switch protector		51	hex wrench
2	screw		52	safty strain
3	flexible cable		53	screw
4	cable fixer		54	motor holder cap
5	screw		55	brush
6	cable protector A		56	brush holder
7	cable protector B		57	screw
8	motor starter		58	cable fixer
9	fuse holder		59	capacity
10	fuse		60	motor holder
11	fuse cap		61	field core
12	magnetic switch		62	wind catcher
13	bridge		63	screw
14	induction		64	bearing protector
15	screw		65	608 bearing
16	controller		66	motor
17	magnetic base		67	609 bearing
18	screw		68	bearing protector
19	screw		69	gear box cap
20	spindle holder		70	608 bearing
21	bearing		71	gear1
22	screw		72	608 bearing
23	cutter protector		73	608 bearing
24	out slide		74	gear2
25	screw		75	608 bearing
26	cable protector C		76	gear box
27	screw		77	fork
28	rack		78	Push plate
29	slid A		79	spring
30	slid B		79A	The copper sleeve
31	slid C		80	screw
32	connect cable		81	screw
33	screw		82	screw
34	cable protector D		83	ϕ 16 catch spring
35	drill holder		84	gear3
36	screw		85	6003 bearing
37	plate		86	60/22 bearing
38	plate		87	O ring
39	screw		88	oil holder
40	screw		89	washer
41	plate		90	ϕ 34 catch spring
42	tank(volve)		91	key
43	screw		92	spindle
44	washer		93	screw
45	bearing 1620		94	spring
46	bearing 2020		95	spring stop
47	gear spindle		96	ϕ 19 catch spring
48	hander			
49	hex wrench			
50	hex wrench			